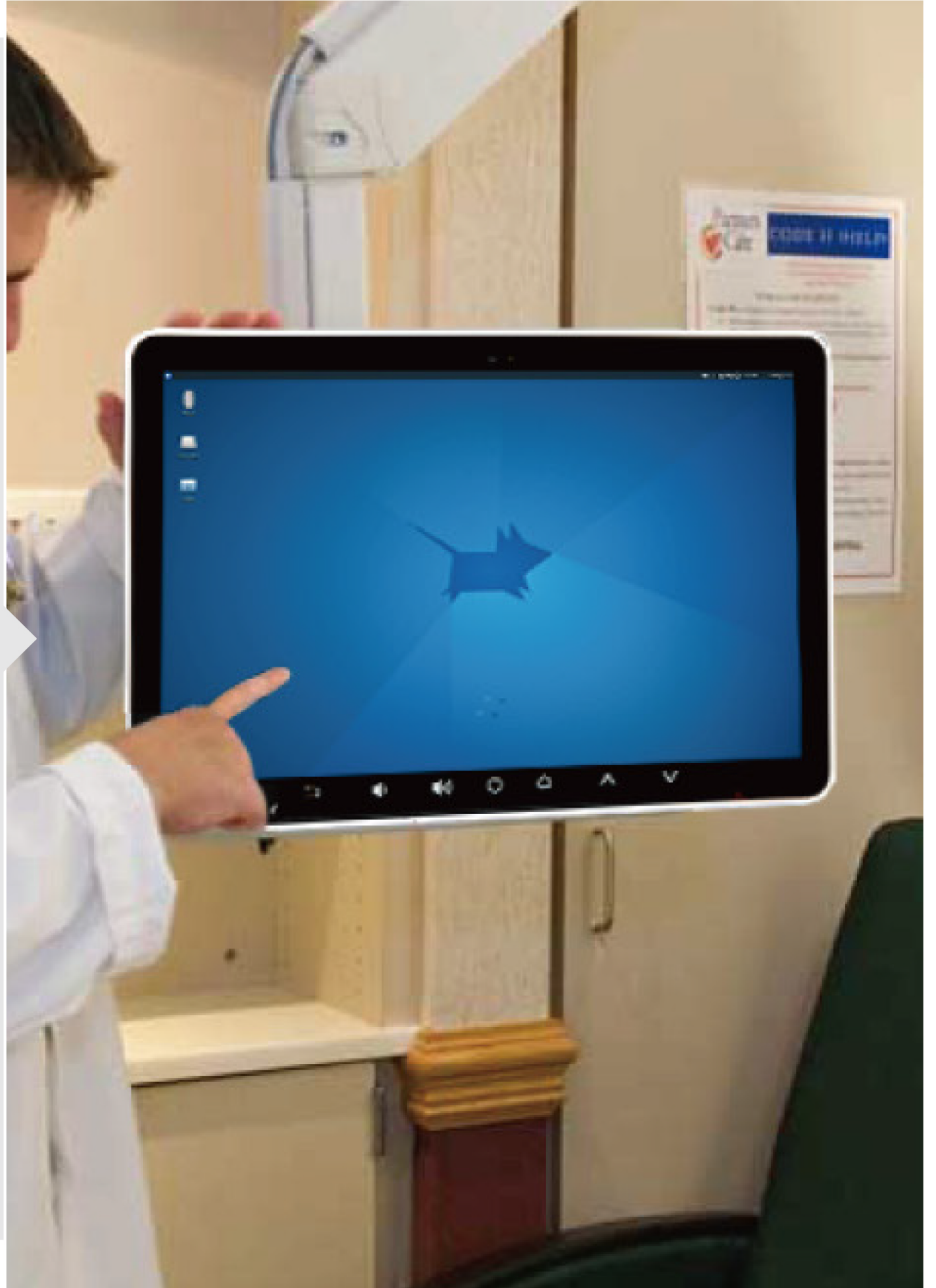


# NW156

## 15.6" Fanless Android 7.1 Bedside Infotainment Touch Terminal



NW156 bedside infotainment terminal has been specifically designed for use in a hospital and clinical environment. It equips 15.6" IPS LCD screen with 10-point touchscreen, ethernet, WiFi, Bluetooth, USB host, OTG, extended storage and front camera. Besides these, NW156 has featured extended function like TV tuner, RFID and Barcode reader with USB dongle. It can provide not only medical care service to patients, but also diverse entertainment programs such as TV, radio, video, audio or games under superior Rockchip 3288 quad-core processor. NW156 can easily communicate with their family members or medical care staffs by front internet camera, WiFi and Ethernet network connectivity. Featuring antibacterial plastics, an easyclean design, and a front screen that is IP65 rated, this bedside terminal fully complies with the latest hygiene and safety standards.

### Features

- ▶ High-performance Rockchip 3288 quad-core processor
- ▶ 15.6-inch 1920x1080 IPS LCD for the best viewing
- ▶ 10-point multi-touch capacitive touch screen control
- ▶ Android 7.1 optimized system
- ▶ Handset for service call, key memrance and remote control
- ▶ Supports WLAN, Bluetooth 4.0
- ▶ Extendable USB host for RFID/Barcode reader, TV tuner dongle
- ▶ RJ45 interface for Ethernet LAN, support PoE+
- ▶ Built-in front CMOS camera
- ▶ VESA mount, 75x75mm and 100x100mm compatible

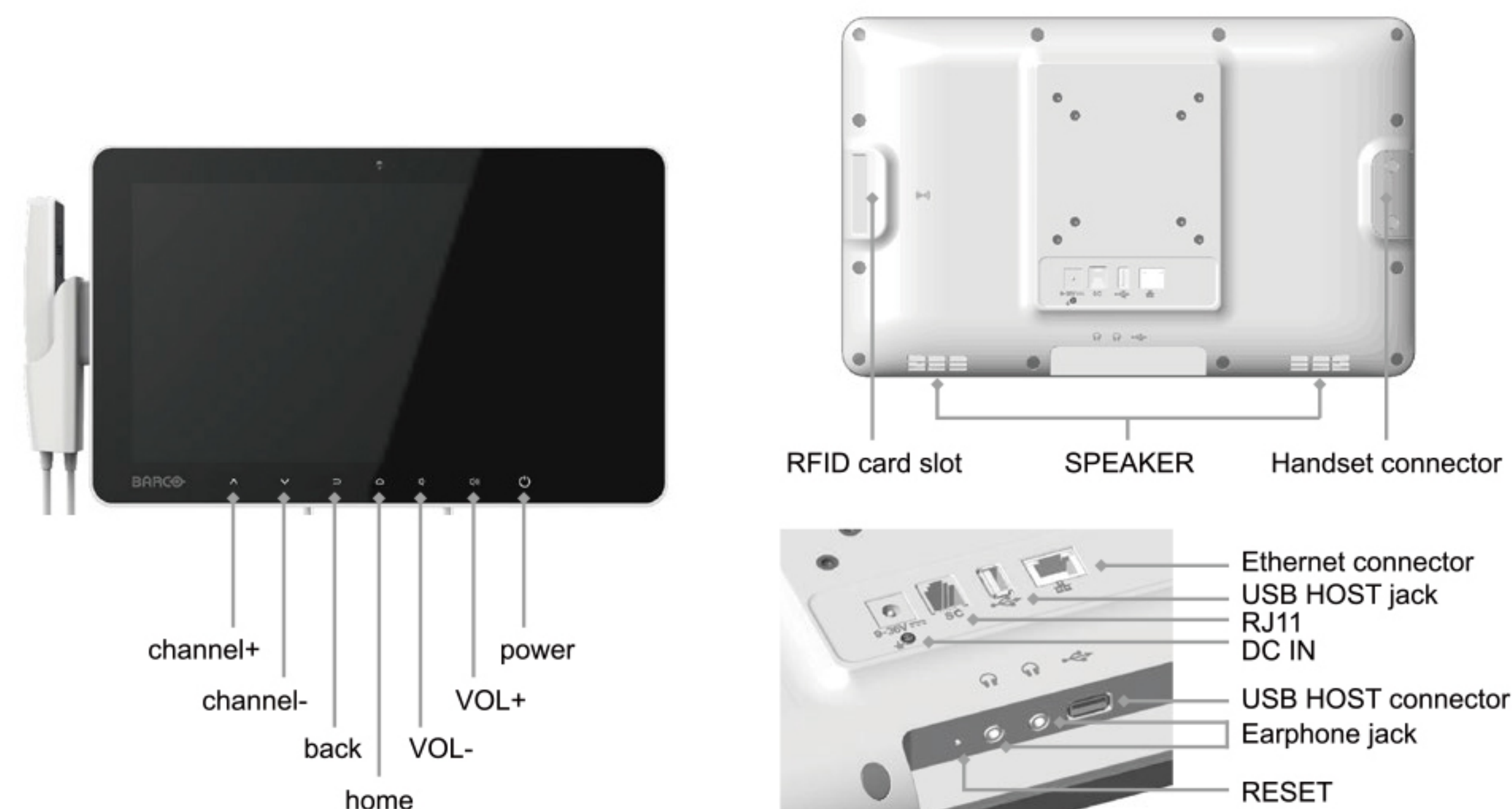


# Specification

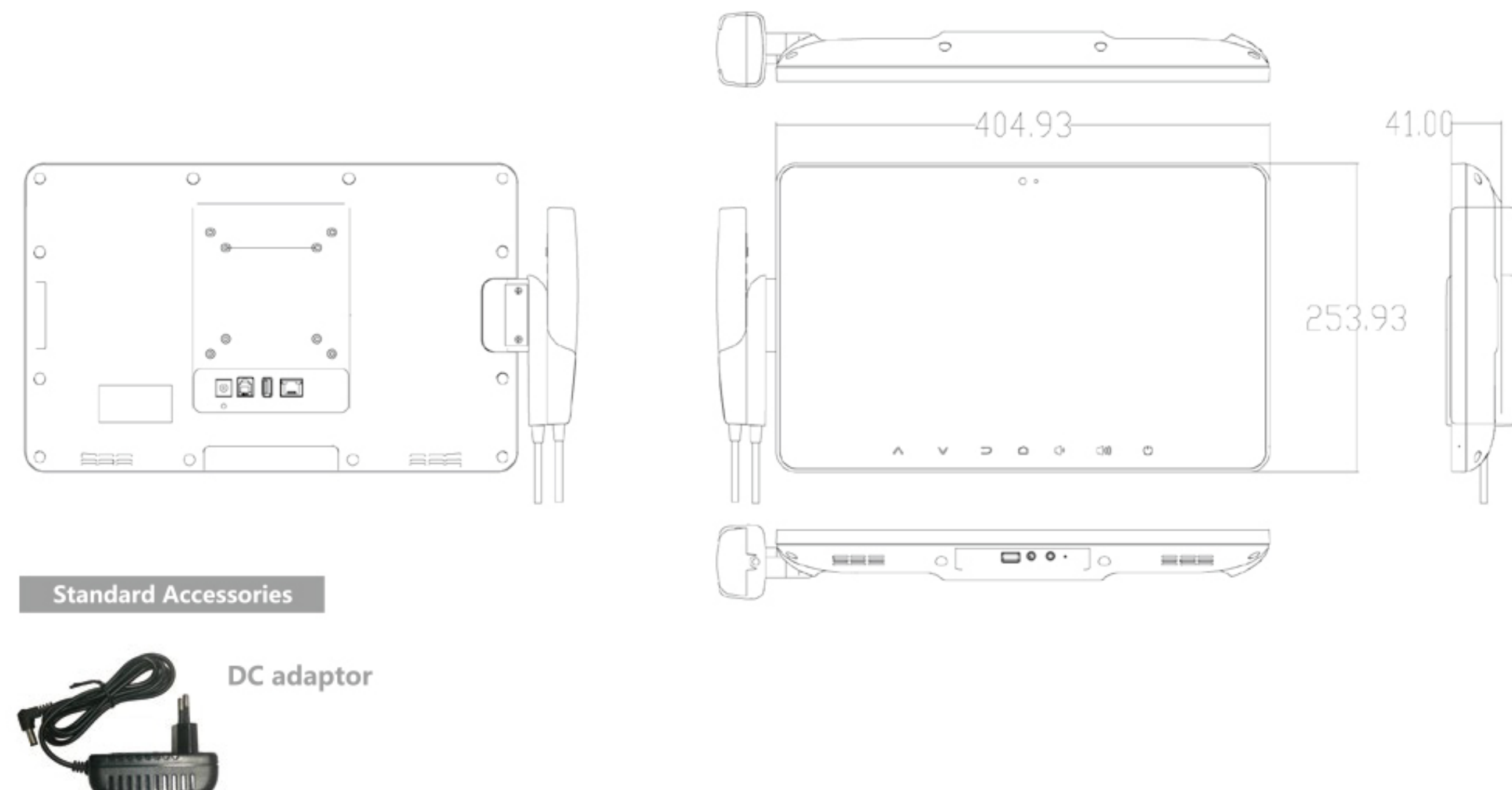
Core	Processor	Rockchip3288 quad core ARM Cortex-A17 1.8GHz
	Graphic	Integrated 2D/3D Mali-T764 GPU, up to 600MHz. Support OpenGL ES1.1/2.0/3.0, OpenVG1.1, OpenCL, DirectX11
	RAM	2GB DDR3
	ROM	32GB EMMC
	OS	Android 7.1
Display	LCD panel	15.6 inch , LED backlight
	Resolutions	1920 x1080
	Brightness	250cd/m2
	Contrast Ratio	800:1
	View Angle (°)	85/85(L/R),85/85(U/D)
Wireless	Touch panel	Sensitive capacitive touch screen, 10-point touch panel
	WiFi	Support 802.11 a/b/g/n, Dual-band 2.4GHz & 5GHz
	Bluetooth	Support Bluetooth 4.0 BLE, Class 1
User Interface	RFID	Combo Smart Card Reader & Mifare RFID (Optional)
	Video	AVI, MKV(XVID/PX/H.264), MOV, TS, ML2TS, FLV, 3GP, MPEG OAT, MP4(support to 1080P(1920x1080)
	Audio	MP2, MP3, WAV, WMA

User Interface	Audio	Output: speaker 8Ω/3W (3w x 2) Internal microphone
	Camera	2.0M CMOS Camera
	Onboard I/O ports	USB OTG *1 USB HOST *1 RJ45*1 (10/100/1000Mbps); Support POE+ RJ11*1 6P6C Handset*1 (Optional)
Function Key	Function Key	Power on/ off , Vol+, Vol-, Channel +, Channel -, Home, Back, Reset
	Handset	Full function handset with phone, hook switch and key membrane and optional remote (Optional)
Power Supply	DC In	12V DC (9 ~ 36V)
Environment	Operating Temp.	-10°C to 70 °C
	Storage Temp.	-20°C to 80 °C
	Humidity	20%-80% (Non-Condensing)
Mechanical	IP Rating	front panel IP65
	Dimensions	405(L) x254(W) x 41(H) mm
	Weight	1977g (Excluding Handset)
Accessories	Mounting	VESA 75mm*75mm and 100x100 compatible
	Certification	CE / FCC
	Standard	DC adaptor
optional	Handset	

## Overview



## Dimensions



## Scenario

